



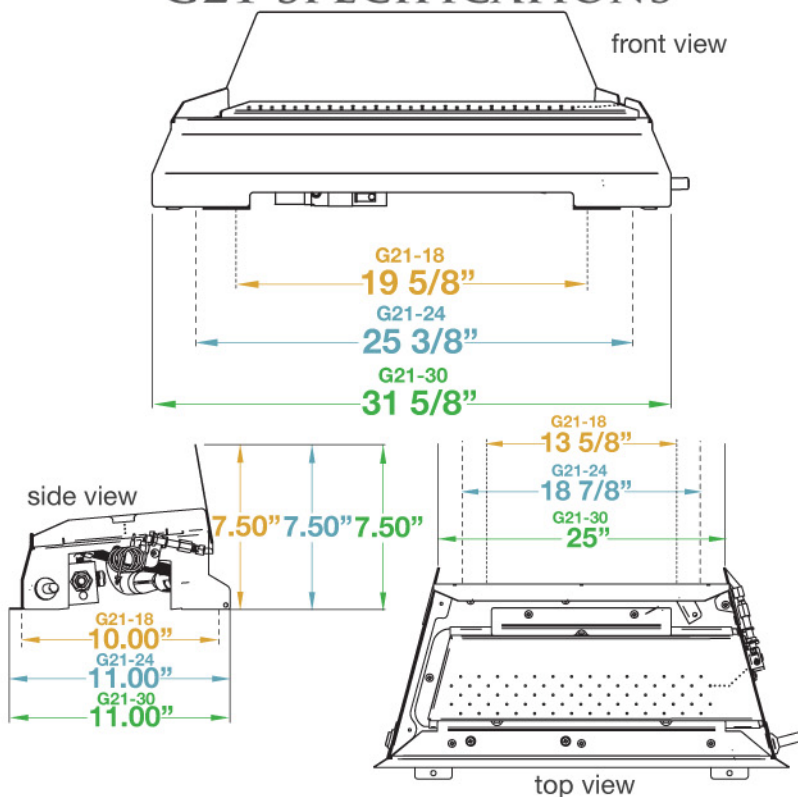
\*Deep Amber Fyre Gems shown with base of optional Star Fyre Fyre Glass



## feature highlights

- All Stainless Steel construction
- Burner with elevated tapered platform and mirrored front and back panels provides a modern look
- Burns cleanly with glass/gems directly on burner ports providing a beautiful sea of flames
- Extra high, extra deep flame appearance
- Ideal for indoor or outdoor use
- Easy access hidden controls
- Available in an 18", 24", and 30" model using 7.5lbs of Fyre Glass or Fyre Gems for the 18", 10lbs for the 24", and 15lbs for the 30" model
- Automatic pilot with remote for easy on/off
- Can be accessorized on the front with additional Fyre Glass or Fyre Gems
- Burner can also be used in vented applications

## G21 SPECIFICATIONS



MODEL	LIST PRICE	BTU's
G21-GL-18-12P (propane)	\$929	27,000
G21-GL-18-12 (natural gas)		30,000
G21-GL-24-12P (propane)	\$975	30,000
G21-GL-24-12 (natural gas)		35,000
G21-GL-30-12P (propane)	\$1044	35,000
G21-GL-30-12 (natural gas)		40,000

\*Price includes burner/valve system with remote and connector kit (Gems and Glass must be ordered separately)

**RH PETERSON** CO.

www.rhpeterson.com

CRAFTED WITH PRIDE  IN THE USA

**PFS**  
ANSI Z21.11-2B  
ANSI Z21.60B

917-332-8857  
631-239-6480

  
**OUTDOOR LIVING**  
**MadeEasy.com**  
829 Fort Salonga Road  
Northport, NY 11768